



J.A. REDERIET

Brå Møllevvej 11 DK 8781 Stenderup Denmark
Tel. +45 75 65 00 94 Fax. +45 75 65 09 94 e-mail: ja@jashipping.com
www.jashipping.com -  J.A.Rederiet



DIVER LAUNCH AND RECOVERY SYSTEM No.1 and No. 2

TECHNICAL SPECIFICATIONS:

LARS data:

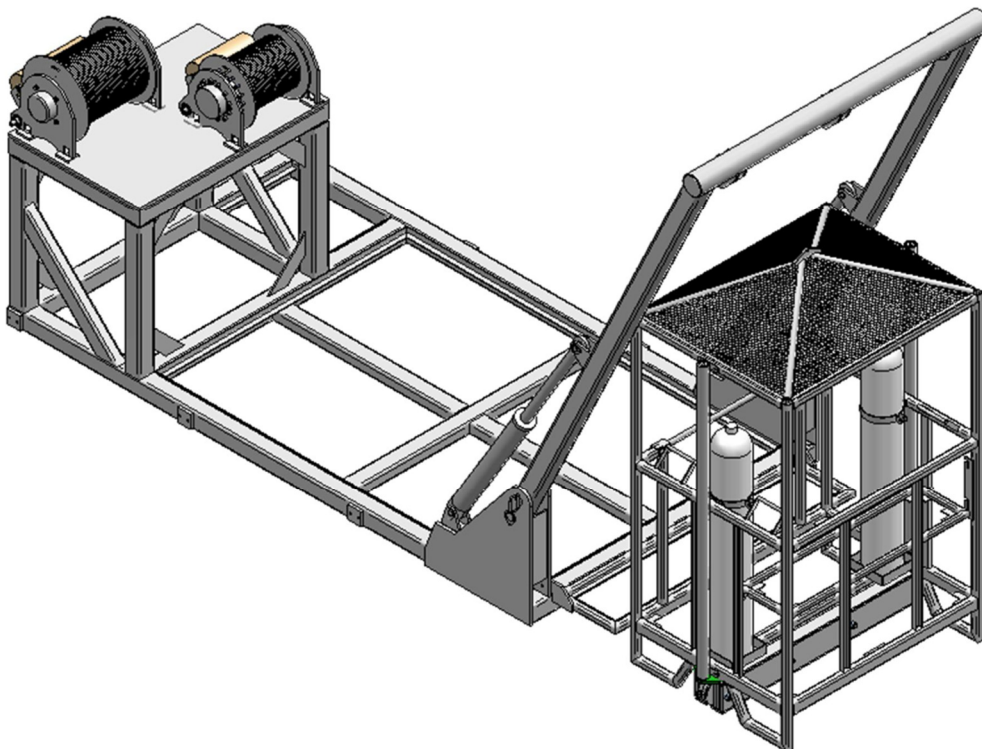
Design:	Lloyds Register Rules for Lifting Appliances in a Marine Environment
Certification:	IMCA DO18, IMCA DO23 and Lloyds Register compliant
Depth Capability:	100 meter
Weight:	4000 Kg.
HPU Electrical Requirements:	3x400 AC 50/60 Hz
Oil Capacity:	2x80 Liters
Main Lift Wire:	Rotations free wire. Dia. 10mm - 120 meter
Clump Weight Wire:	Rotations free wire. Dia. 10mm - 220 meter
Winches:	2 x 1 Tons Man rider winches

Cage data:

Capacity:	2 persons
Cage air supply:	2 x 50 liters-200 bar
Cage weight:	365 kg
Cage type:	M-01-11036-05

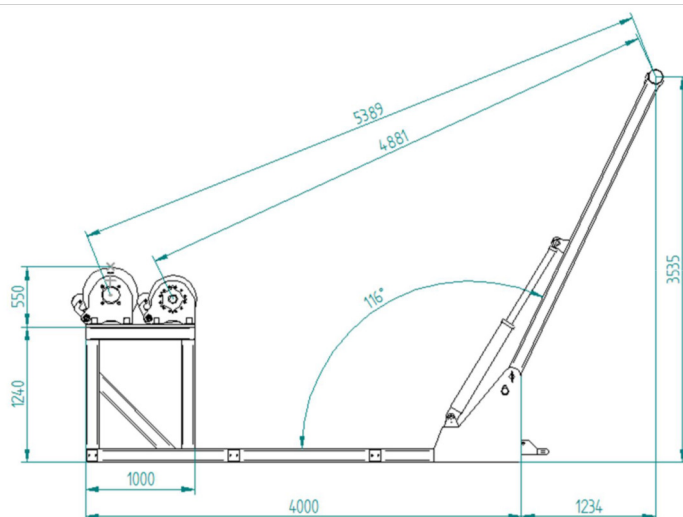
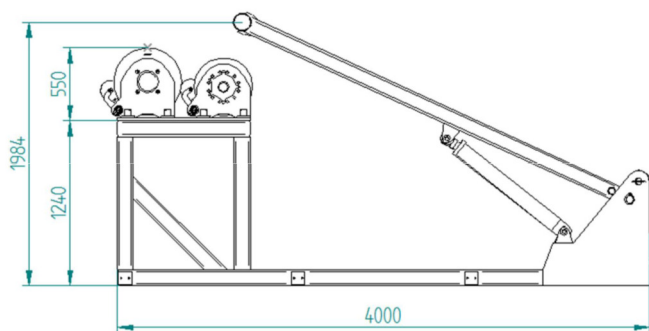
Transport:

The LARS folds down in order to fit into a standard ISO 20' container to insure safe and economic transport.



DIVER LAUNCH AND RECOVERY SYSTEM

No.1 and No. 2



TECHNICAL DESCRIPTION:

The LARS system is intended for transport of divers up and down in the water.

A-frames with hydraulic cylinders make sure that the diving cages can be placed in the water in a safe way.

The clump weight is lowered to the bottom of the sea pulling down guide wires for the cage to follow.

The diving cage is fitted with two guide tubes for the wires from the clump weight, to prevent the cage from spinning in the water.

On top of the cage a lifting eye is fitted for the wire that controls the raising and lowering the diving cage.

The cage is fitted with a bench for the divers to sit on during transport up and down. The cage is fitted with two 50 l air breathing tanks for emergency use.

In the front of the cage a security gate is fitted to prevent the divers from falling out during transport.

Controlling the LARS system is done by the control panel placed next to the winches.

The control panel controls hydraulic cylinders for raising and lowering the A-frame and the winches for lowering and raising the diving cage.

Two (HPU) Hydraulic Pump Units placed under the winches is delivering Hydraulic oil pressure for operating cylinders and winches.



J.A. REDERIET

Brå Møllevvej 11 DK 8781 Stenderup Denmark

Tel. +45 75 65 00 94 Fax. +45 75 65 09 94 e-mail: ja@jashipping.com

www.jashipping.com -  J.A.Rederiet

